

REV#

CHANGE

DATE

B1

DATE: 02/09/09

SCALE: NTS

MATERIAL: HDPE

DESCRIPTION: DRAWN BY BMD

STANDARD UN/1H2
SHORT SKIRT COVER

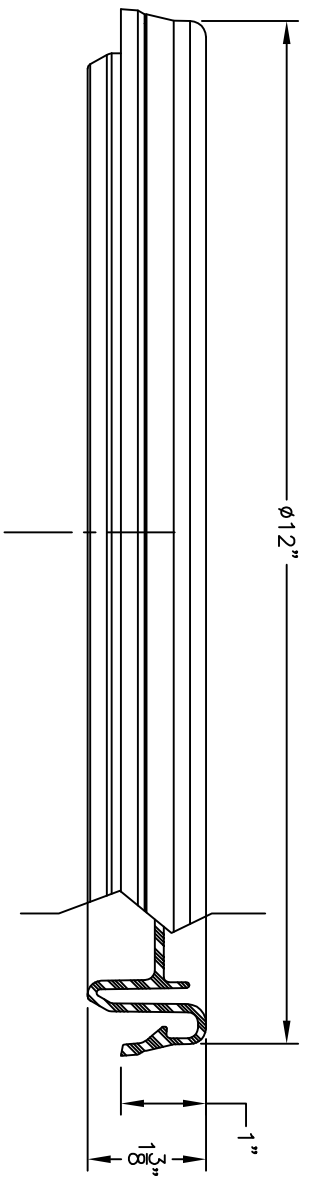
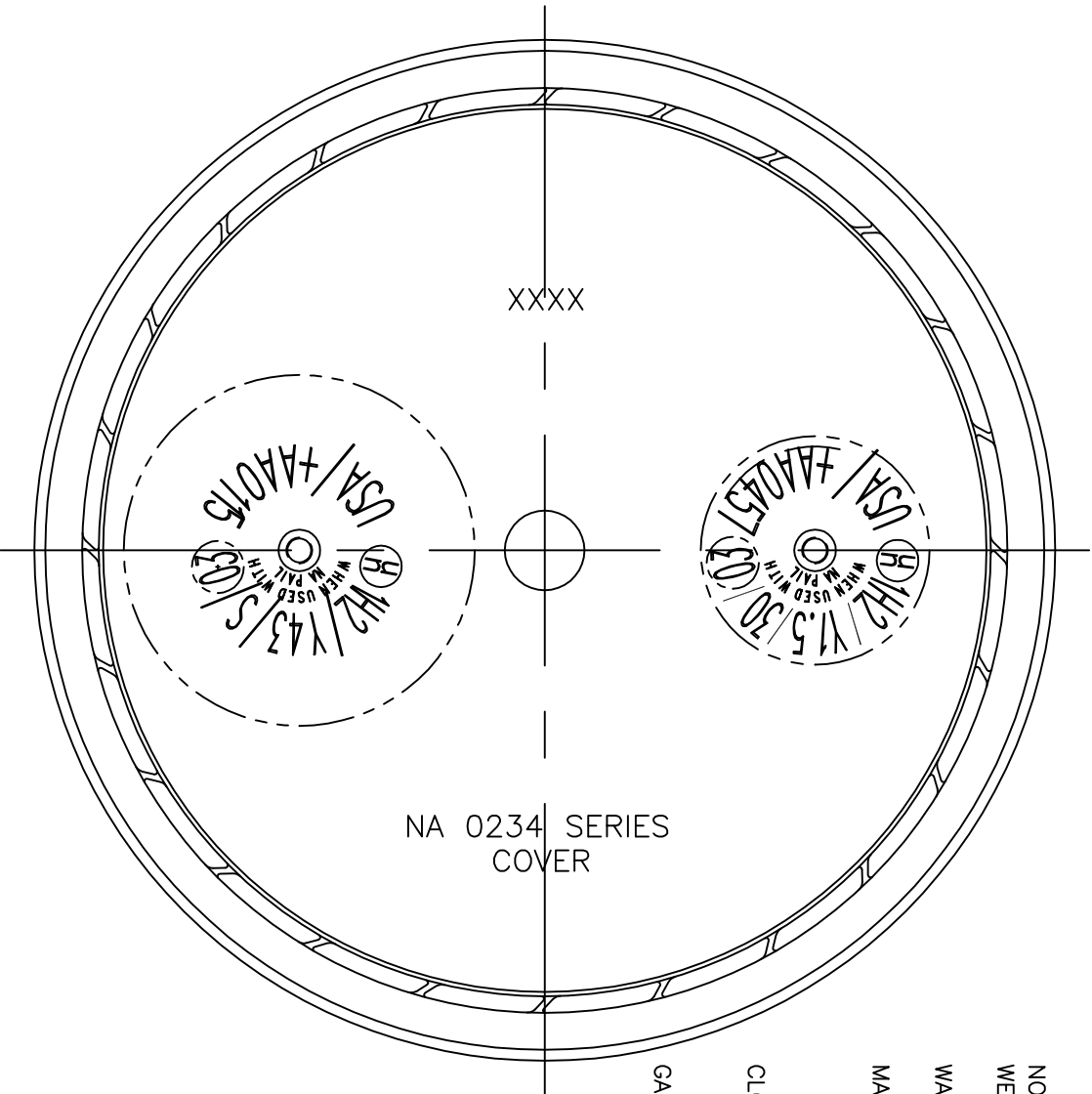
APPROVED:

DRAWING

C-00506-090-UN-SS

CHECKED:

C-00506-090-UN-SS-SF



- NOTES:
- WEIGHT: -350 GRAMS
- WALL THICKNESS: -90 mil
- MATERIAL: * PREMIUM HDPE INJECTION RESIN
* AVAILABLE IN A WIDE RANGE OF COLORS TO MEET CUSTOMER REQUIREMENTS
- CLOSURES: * MULTIPLE PUSH & CRIMP ON SPOUT OPTIONS AND SCREW CAP AVAILABLE
- GASKETS: * BLACK FDA GASKETS STANDARD
* MULTIPLE COMPOUNDS AVAILABLE

Distributed By:



ILLING
CREATIVITY, INC.
Packaging Your Vision

Illing Item # 3011UN