

Product Specifications

2.5-Gallon Round Container with EZ Cover®

Multiple Uses

Dry Products

Product Codes

Description: 2.5-gallon round can

Description: Tamper-evident, round EZ Cover®

Features

Gauge: 50 mil.
 Nominal capacity: 2.5 USG / 9.5 L
 Stack performance: 125 lbs.*
 Tare weights: Body: .68 lbs. / .31 kgs.
 Cover: .20 lbs. / .09 kgs.

Note: *Ratings will be reduced with uneven load distribution.

Specifications with Cover

Dimensions: 9-3/4"D X 10-5/16"H
 Maximum capacity: 2.6 USG / 9.9 L
 Tare weight: .88 lbs. / .40 kgs.

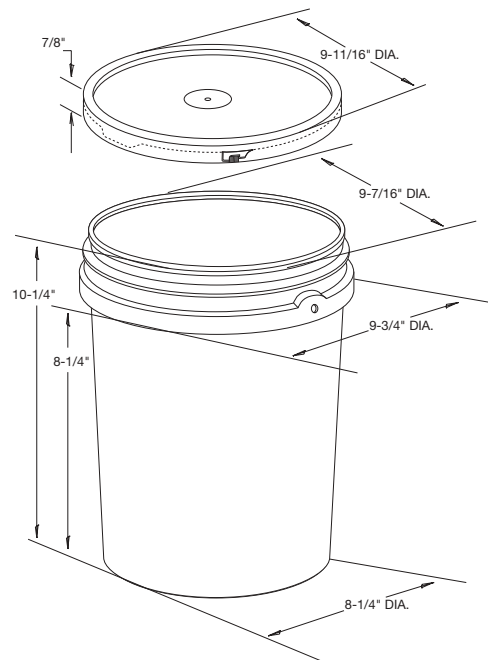
Colors

Standard: White, Black, Natural and Clear
 Custom: Available at manufacturer's discretion

Decorating Options

Silk - Screening: 27-1/2"W X 6-3/4"H
 Four or six* color offset printing
 Print area: 27"W X 7"H
 Cover: 8" Diameter

Note: *Where available



Shipping Data

	Bodies	Covers
Qty. per pallet:	360	2,160 (12 boxes of 180)*
Gross Weight (lbs./kgs.)**:	244.8/111.6	432/194.4
Den. (lbs./C.F./kgs./m3):	4.9/78.2	4.5/71.9
Length (in./cm.):	49.5/125.7	48/121.9
Width (in./cm.):	40/101.6	41.7/105.9
Height (in./cm.):	44/111.8	82.5/209.6
Estimated truckload quantity of 15,120 bodies and covers***		

Filled Containers

100 (20 per layer / 5 layers high)
 Pallet height: 55"

Notes: *Bulk pack also available

**Weight does not include pallet/packaging

***Truckload quantity based on 53' trailer

Materials

FDA approved materials
 Resin: Body: High-Density Polyethylene (HDPE)
 or Clear Polypropylene (PP)
 Cover: High-Density Polyethylene (HDPE)
 MSDS Sheets available upon request

Optional Carrying Handles