

UN 5.0-Gallon Round Solid Packaging with U5 Cover

Multiple Uses

Solid Hazardous Materials
Solid Packaging (1H2)
Packing Group II or III (Y)
Gross mass rating of 30 kg. / 66.1 lbs.
TEN-E Package Identification # +AA2792

Product Codes

Container: **U059**
Description: 5.0-gallon round can

Cover: **U5G0**
Description: Plain UN cover with tubular gasket and pour spout or screw cap closures

Features

Gauge: 90 mil.
Nominal capacity: 5.0 USG / 19.0 L
Stack performance: 400 lbs.*
Tare weights: Body: 2.12 lbs. / .96 kgs.
Cover: .77 lbs. / .35 kgs.
*Note: *Ratings will be reduced with uneven load distribution.*

Specifications with Cover

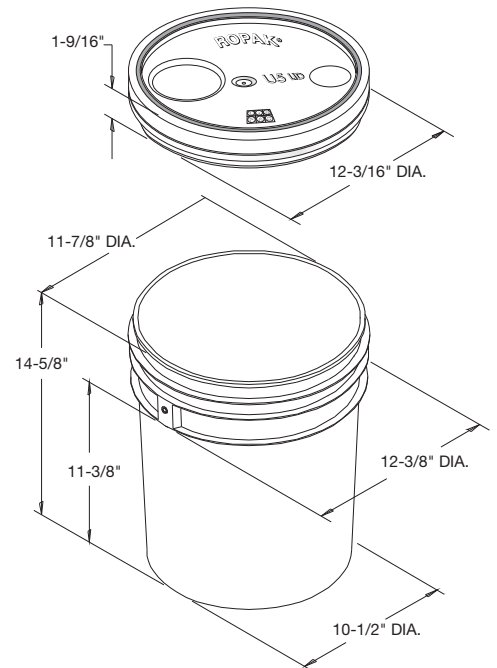
Dimensions: 12-3/8"D. X 14-7/8"H
Maximum capacity: 5.6 USG / 21 L
Tare weight: 2.89 lbs. / 1.31 kgs.*
*Note: *With handle, add .10 lbs.*

Colors

Standard: White, Black and Natural
Custom: Available at manufacturer's discretion

Decorating Options

Silk - Screening: 32"W X 8-3/4"H
Four or six* color offset printing
Print area: 34"L X 9-1/4"H
Sleeve or pressure sensitive labeling
*Notes: *Where available*



Shipping Data

Qty. per pallet/carton:
Gross Weight (lbs./kgs.)**:
Den. (lbs./C.F./kgs./m3):
Length (in./cm.):
Width (in./cm.):
Height (in./cm.):
Full truckload quantity of 6,336 bodies and covers***

Bodies

144
305.3/138.5
5.9/95.5
49.3/125.2
37.5/95.3
49.5/127.7

Covers*

1152 (24 boxes of 48)
887/402.3
12.5/201.3
50/127
37.5/95.3
65/165.1

Filled Containers

36 (12 per layer / 3 layers high)
Pallet height: 48.8"

*Notes: *Bulk pack of 288 also available
**Weight does not include pallet/packaging
***Truckload quantity based on 53' trailer*

Materials

FDA approved materials
Resin: Body: High-Density Polyethylene (HDPE)
Cover: High-Density Polyethylene (HDPE) with
Ethylene Propylene Diene Monomer (EPDM) Gasket or
Styrene Butadiene Rubber (SBR) Gasket
MSDS Sheets available upon request

Optional Carrying Handles

Plastic HDPE or
Metal nine-gauge gal. steel