



Distributed by:

ILLING PART NUMBER 3052W

Product Specifications

2.9-Gallon Round Container with FIG EZ Cover®

Multiple Uses

Dry Products
Liquid Products

Product Codes

Description: 2.9-gallon round can

Description: Tamper-evident, round EZ Cover®
with flowed-in gasket

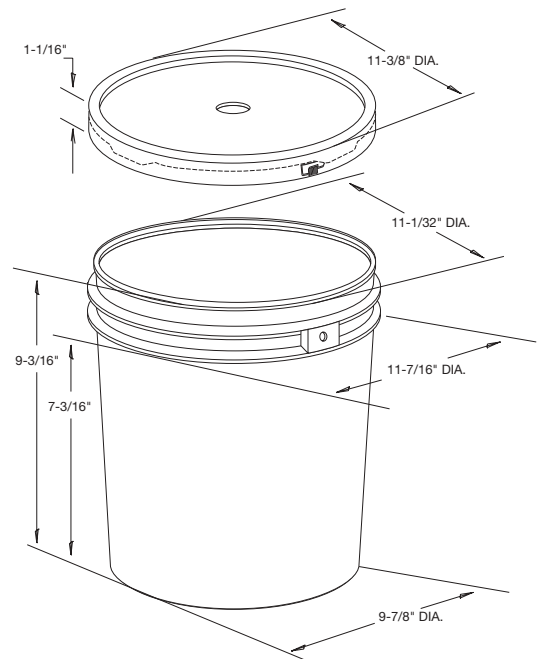
Features

Gauge: 65 mil.
Nominal capacity: 2.9 USG / 11.0 L
Stack performance: 300 lbs.*
Tare weights: Body: .99 lbs. / .45 kgs.
Cover: .39 lbs. / .18 kgs.

Note: *Ratings will be reduced with uneven load distribution.

Specifications with Cover

Dimensions: 11-7/16"D X 9-1/4"H
Maximum capacity: 3.02 USG / 11.4 L
Tare weight: 1.38 lbs. / .63 kgs.



Colors

Standard: White, Black and Natural
Custom: Available at manufacturer's discretion

Decorating Options

Silk - Screening: 30"W X 5-1/2"H
Four or six* color offset printing
Print area: 32"W X 5-1/2"H

Note: *Where available

Shipping Data

Bodies

Covers

Filled Containers

Qty. per pallet:	144	1,152 (24 boxes of 48)*	60 (12 per layer/5 layers high)
Gross Weight (lbs./kgs.)**:	142.6/64.8	449.3/207.4	Pallet height: 49.75"
Den. (lbs./C.F./kgs./m3):	4.5/72.7	6.0/98.4	
Length (in./cm.):	48/121.9	48/121.9	
Width (in./cm.):	36/91.4	40/101.6	
Height (in./cm.):	31.5/80	67/170.2	
Estimated truckload quantity of 8,640 bodies and covers***			

Notes: *Bulk pack also available

**Weight does not include pallet/packaging

***Truckload quantity based on 53' trailer

Materials

FDA approved materials
Resin: Body: High-Density Polyethylene (HDPE)
Cover: High-Density Polyethylene (HDPE)
Hot Melt Synthetic Resin – Flowed-in Gasket
MSDS Sheets available upon request

Optional Carrying Handles