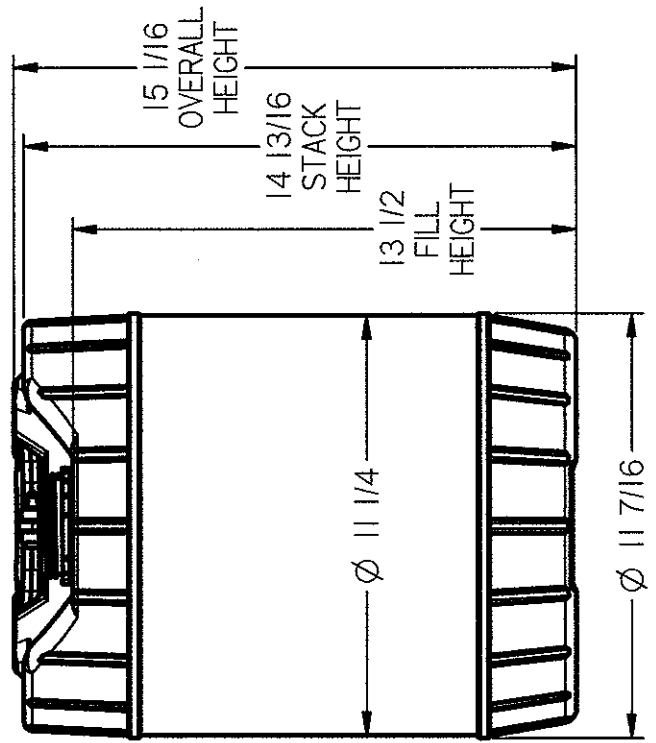
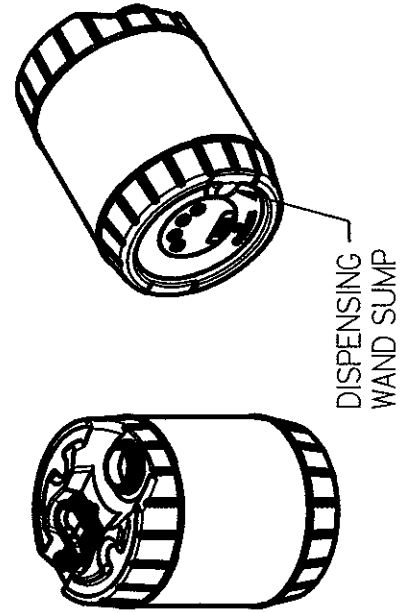
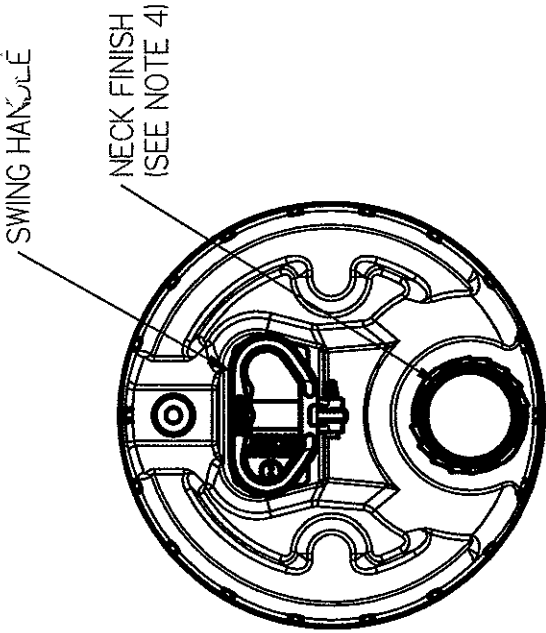


NOTES:

1. MATERIAL: PREMIUM HDPE
2. TARE WEIGHT: 1180 GRAMS (2.7 LBS)
3. CERTIFIED TO UN Y1.8/100
4. AVAILABLE WITH VARIOUS NECK FINISHES:
 70mm X 8TPI PLAIN
 70mm X 6TPI TAMPER EVIDENT
 63mm CRIMP-ON
5. STANDARD COLORS: NATURAL, WHITE, BLUE.
6. OTHER OPTIONS AVAILABLE BY SPECIAL ORDER.



FILE NAME: T-10004-002-SF.dft

ILLING PART #31026

REV	CHANGE	DATE	BY	DATE
				08/21/07
				SCALE
				MATERIAL HDPE
				DRAWNF.BURNEY
				CHECKED
				APPRVD

Distributed by:  **ILLING**
Company, Inc.
 Packaging Your Vision

TITLE: TIGHTHEAD, ROUND 5-GALLON

DRG. No. T-10004-002-SF