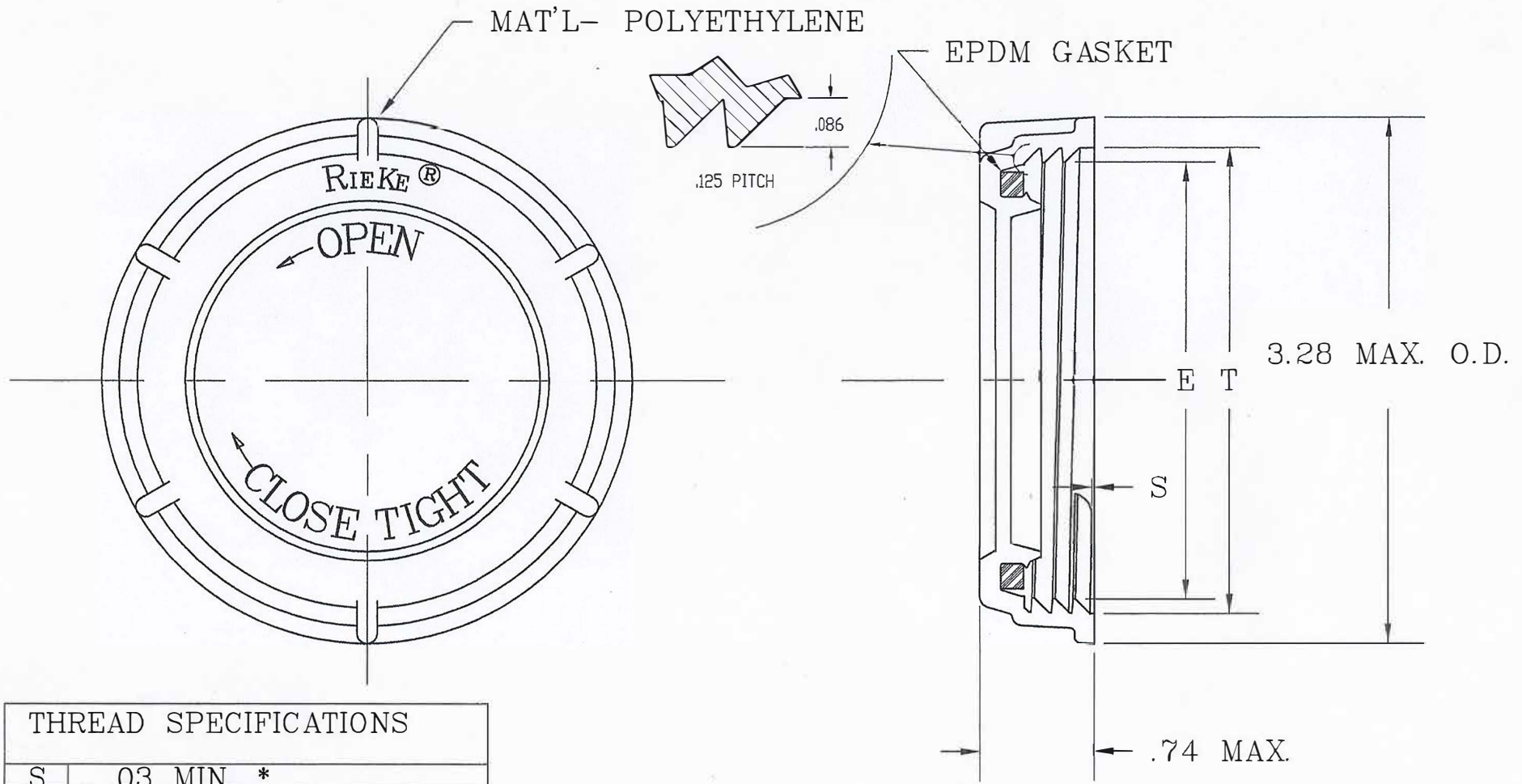


Customer Plastic Product Specification

Description	FS-80 70MM SCREW CAP	
Specification number	Item Number: -	
Date	October 4, 2012	Page 1 of 1
Prepared by		
Approved by		

PARAMETERS	SPECIFICATION	TEST METHOD
Material of construction	Type:- Polyethylene	COA
Standard Color (other colors available upon request)	Natural	QC Spec Visual
Nominal dimensions in inches (mm)		QC Spec Variable/Attribute Gauge
Opening Print Drawing Number	M0678 Rev: D	
Special markings	"←Open Close Tight→"	
Accessories	GK098W White EPDM Gasket / PTFE Micro-Porous Gauze Vent (water break through ~ 6 PSI)	
Applied torque	10 ft-lbs	QC Spec Torque Wrench
Method of delivery	250 /carton - ~16 lbs. gross/carton - 36 cartons/pallet	
Components	Screw Cap	Drawing No. 28000329 Rev: B



THREAD SPECIFICATIONS	
S	.03 MIN. *
T	2.767 MIN.
E	2.650 MAX/2.613 MIN.
TPI	8 THREADS PER INCH

NOTE: MATERIALS USED MEET FDA REQUIREMENTS
 NOTE: THIS IS NOT A SHOP DRAWING

* MAX. DIM. NOT APPL. SINCE LENGTH OF CAP WILL LENGTHEN "S" WITHOUT EFFECTING ENGAGEMENT

BREAK ALL SHARP EDGES WITH 1/64" RADIUS, UNLESS OTHERWISE SPECIFIED	DATE	DRAWN BY				
	3/8/89	GMB				
		CHECKED				
	THE FOLLOWING TOLERANCES APPLY UNLESS OTHERWISE SPECIFIED:	SCALE	KLH	B	GIVEN CAD NUMBER	6/21/93
ANGLES	±1/4°	APPROVED	A	REDRAWN FOR CLARITY	3/8/89	GMB
HUNDRETH	±.015	CHANGE NUMBER		CHANGE	DATE	BY
THOUSANDTH	±.002					

DETAIL NAME		FS-80 SCREW CAP	
TOOL ASSY. NAME			
PRODUCT	TOOL ASS'Y NUMBER		
DRAWING NUMBER			
DETAIL NUMBER		FS-80	
MATERIAL	TEMPER		
SEE NOTATIONS ABOVE			