

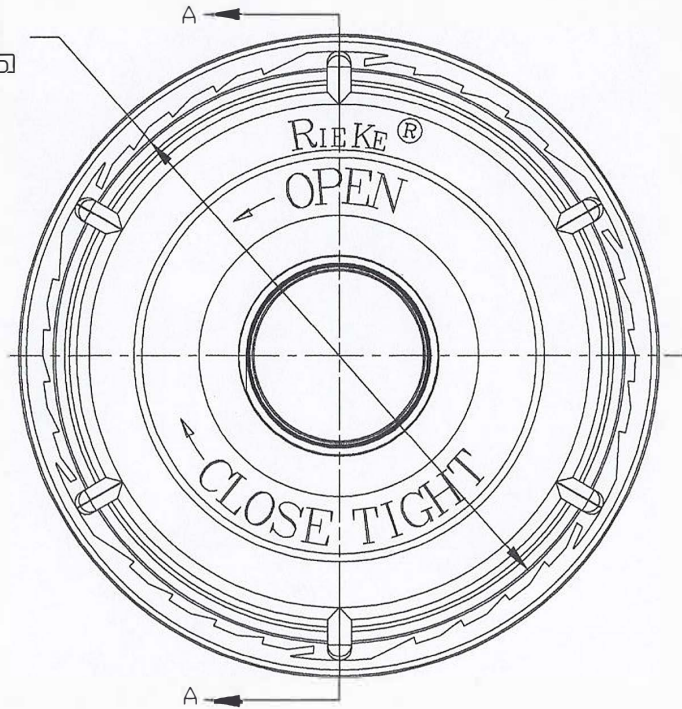
Customer Plastic Product Specification

Description	FS-70-T GK98W, 70mm Tamper-Evident Screw Cap	
Specification number	Item Number: - 03510001	
Date	June 5, 2015	Page 1 of 1
Prepared by		
Approved by		

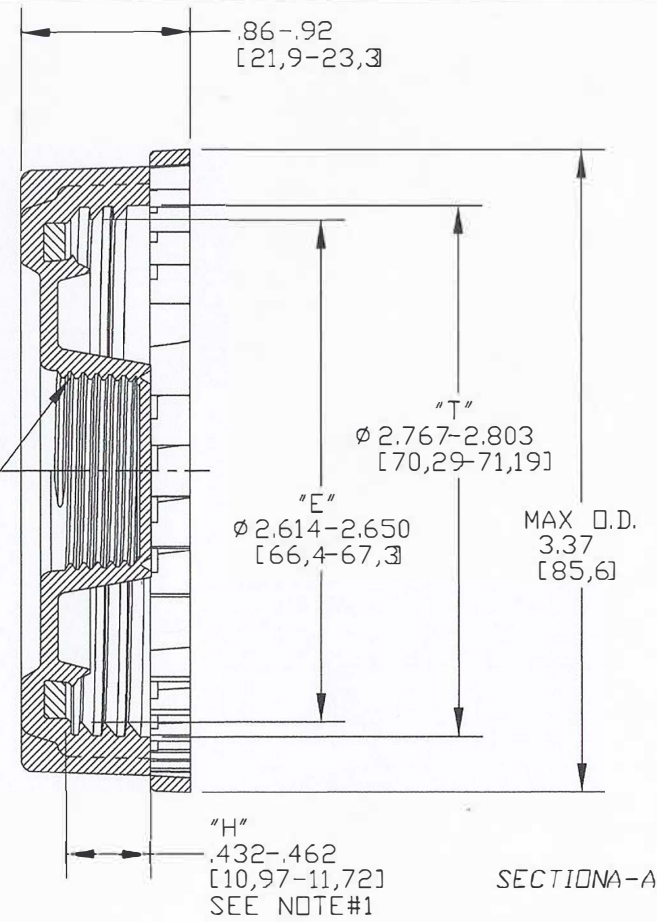
SPECIFICATION

PARAMETERS	SPECIFICATION	TEST METHOD
Material of construction	Type:- Polyethylene	COA
Standard Color (other colors available upon request)	Natural	QC Spec Visual
Nominal dimensions in inches (mm)		QC Spec Variable/Attribute Gauge
Opening Print Drawing Number	M0959 Rev: D	
Special markings		
Accessories	GK098W White EPDM Gasket	
Applied torque	10 ft-lbs	QC Spec Torque Wrench
Method of delivery	250 /carton - ~ 19 lbs. gross/carton - 16 cartons/pallet	
Components	Screw Cap / Tamper-Evident Ring	Drawing No. 28001017 Rev: None

Ø 3.012
[76,5]



3/4 - 14 THREAD



NOTES:

- 1) EFFECTIVE "H" IS ESTABLISHED BY SUBTRACTING GASKET THICKNESS FROM OVERALL "H".
- 2) MATERIALS USED MEET FDA REQUIREMENTS.
- 3) 8 TPI .125 PITCH

PRODUCT DRAWING

BREAK ALL SHARP EDGES WITH 1/64" RADIUS, UNLESS OTHERWISE SPECIFIED	DATE	DRAWN BY					
	9-JUL-01	RDR					
	THE FOLLOWING TOLERANCES APPLY UNLESS OTHERWISE SPECIFIED:	CHECKED					
	ANGLES ±1/4°	GAM					
HUNDREDTH ±.015	SCALE	APPROVED					
THOUSANDTH ±.005	NTS		CHANGE NUMBER	CHANGE	DATE	BY	

DETAIL NAME TAMPER EVIDENT FS-70 T	
TOOL ASS'Y NAME	
PRODUCT FS-70-T	TOOL ASS'Y NUMBER
DRAWING NUMBER 28001017	
FOR	DETAIL NUMBER
MATERIAL POLYETHYLENE TEMPER N/A	FS-70-T