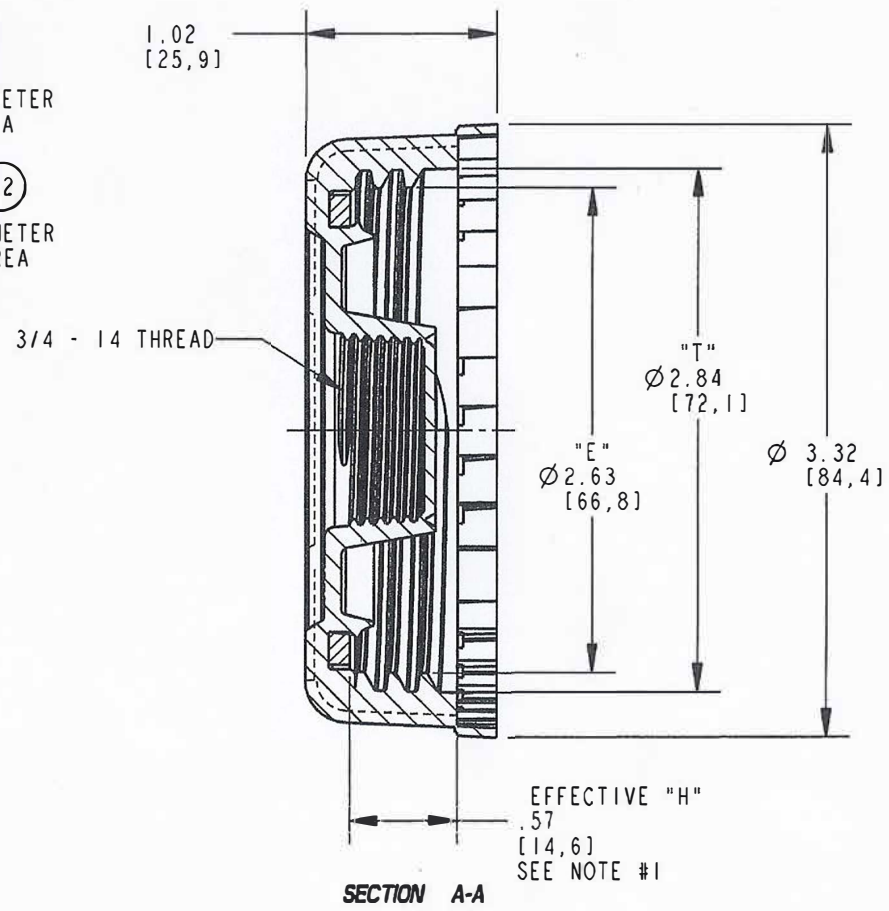
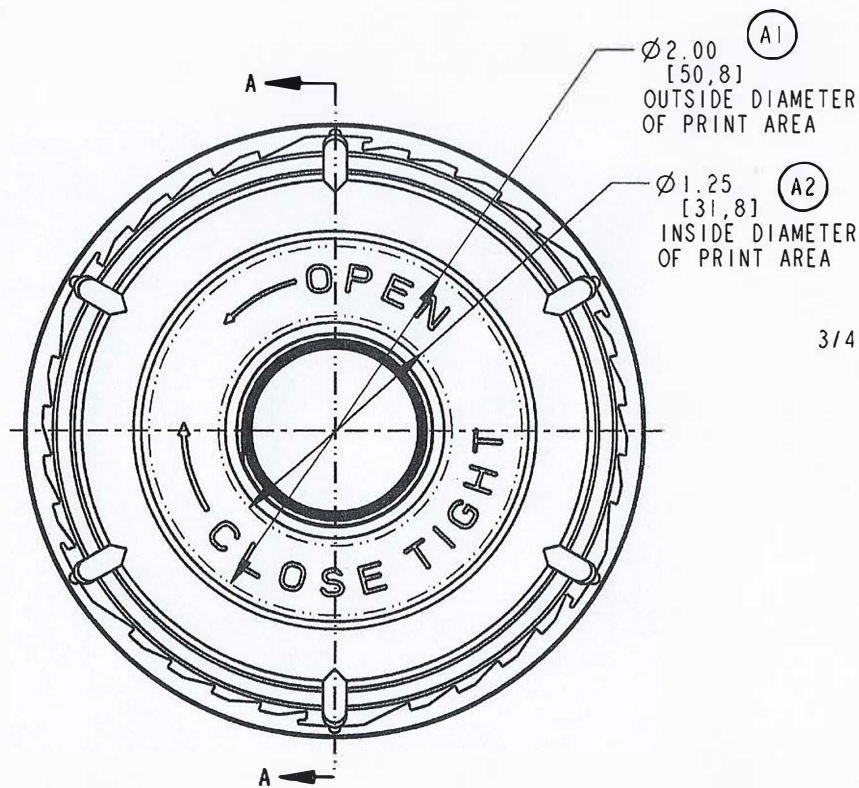


Customer Plastic Product Specification		
Description	SC76R-TE-143 70mm Tamper-Evident Screw Cap GK98W ZITEX 250/CTN	
Specification number	Item Number: - 03920018	
Date Prepared by Approved by	September 9, 2013	Page 1 of 1

PARAMETERS	SPECIFICATION	TEST METHOD
Material of construction	Polyethylene	COA
Standard Color (other colors available upon request)	Natural	QC Spec Visual
Nominal dimensions in inches (mm)		QC Spec Variable/Attribute Gauge
Opening Print Drawing Number	M1046 Rev: D	
Special markings	"←Open Close Tight→"	
Accessories	GK098W White EPDM Gasket / Zitek Vent	
Applied torque	10 ft-lbs	QC Spec Torque Wrench
Method of delivery	250 /carton - ~19 lbs. gross/carton - 16 cartons/pallet	
Components	Screw Cap with 3/4" Reducer & Tamper-Evident Ring	Drawing No. 28001775 Rev: A



- NOTES:
- EFFECTIVE "H" IS ESTABLISHED BY SUBTRACTING GASKET THICKNESS FROM OVERALL "H"
 - MATERIALS USED MEET FDA REQUIREMENTS
 - 6TPI, .167 PITCH

CUSTOMER DRAWING

PRO/E

BREAK ALL SHARP EDGES WITH 1/64" RADIUS, UNLESS OTHERWISE SPECIFIED		DATE	DRAWN BY			TITLE		CLOSURE, 70mm, 6TPI BUTTRESS, TAMPER EVIDENT WITH 3/4" REDUCER	
THE FOLLOWING TOLERANCES APPLY UNLESS OTHERWISE SPECIFIED:		09-APR-02	VLV	A	A1-2: ADD LIMITS OF PRINT AREA	14-APR-04	TPK	PRODUCT	
ANGLES	$\pm 1/4^\circ$	SCALE	CHECKED		INITIAL RELEASE	09-APR-02	VLV	SC-76RTE	
HUNDREDTH	$\pm .02$ [0,50]	1.0	TPK	CHANGE NUMBER	CHANGE	DATE	BY	DRAWING NUMBER	
THOUSANDTH	$\pm .010$ [0,25]							28001775	
								MFG LOCATION	DETAIL NUMBER
								MATERIAL	SC-76RTE
								TEMPER	