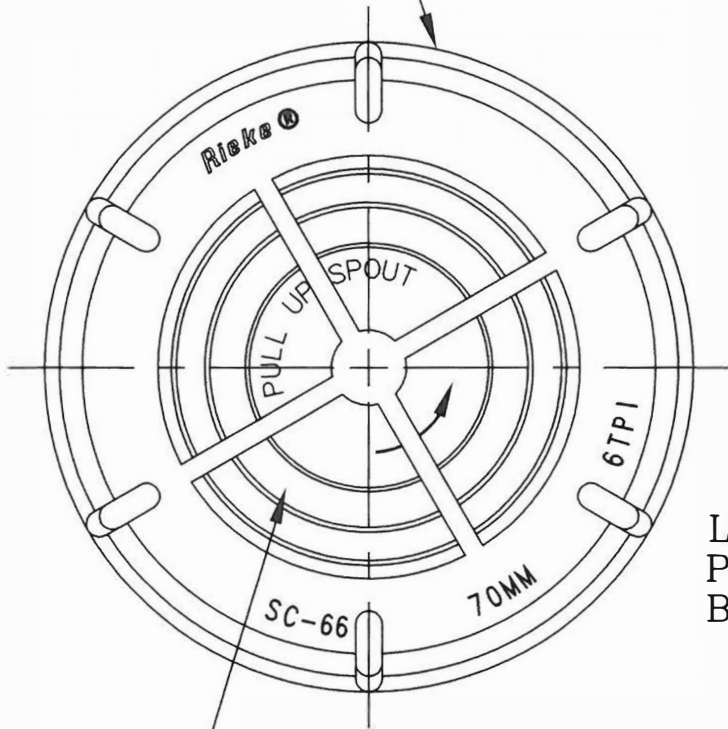
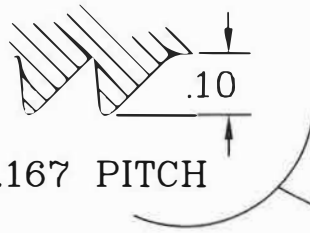


HIGH DENSITY POLYETHYLENE
RING/SC-66-B



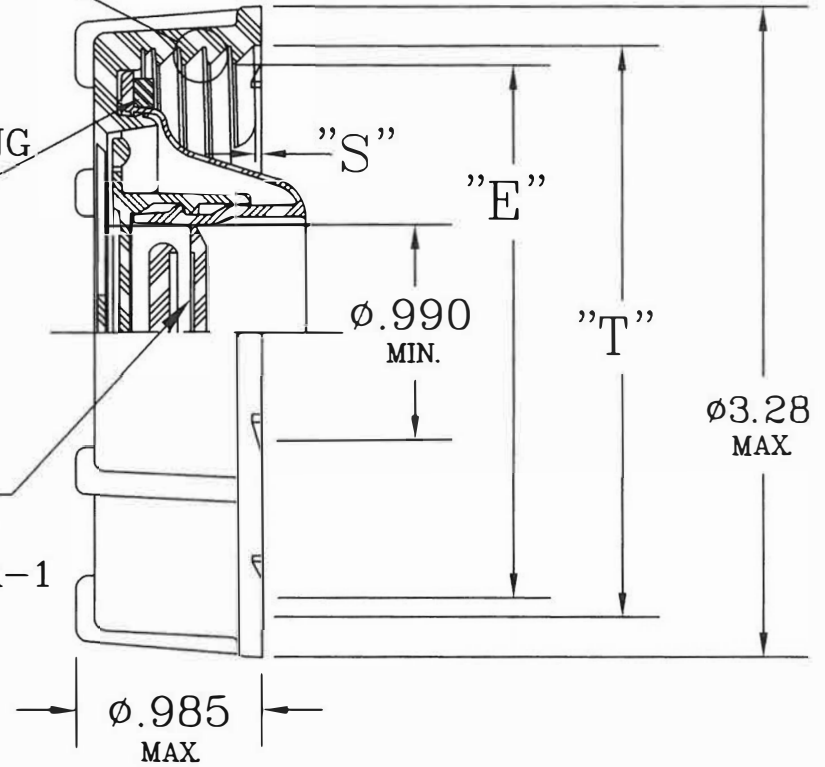
HIGH DENSITY POLYETHYLENE
CAP/FS-10-B-5



THREAD SPECS	
S	.03 MINIMUM
T	ø2.820 MINIMUM
E	ø2.650 / ø2.610
TPI	6 THDS. PER INCH

EPDM SEALING
GASKET

LOW DENSITY
POLYETHYLENE
BODY/FS-60-A-1



NOTE: MATERIALS USED MEET FDA REQUIREMENTS

NOTE: THIS IS NOT A SHOP DRAWING

BREAK ALL SHARP EDGES WITH 1/64" RADIUS, UNLESS OTHERWISE SPECIFIED		DATE	DRAWN BY				
THE FOLLOWING TOLERANCES APPLY UNLESS OTHERWISE SPECIFIED:		8/20/14	SCK				
			CHECKED				
ANGLES	±1/4°	SCALE	GMB				
HUNDRETH	±.015	NTS	APPROVED				
THOUSANDTH	±.002		CHANGE NUMBER	CHANGE	DATE	BY	

DETAIL NAME		SC-66 SCREW CAP	
TOOL ASSY. NAME			
PRODUCT		TOOL ASS'Y NUMBER	
DRAWING NUMBER		28000632	
FOR		DETAIL NUMBER	
MATERIAL		TEMPER	
SEE NOTATIONS ABOVE			
		SC-66	