

Represented by



ILLING[®]
Company, Inc.
Packaging Your Vision

Product Specification Sheet

Illing Part# 3E427

4.25 GALLON WHITE HDPE EZ-STOR PAIL W/HANDLE

Part #: 3E427

Size:	4.25 Gallon
Color:	White
Material:	HDPE
Style:	EZ-Stor
Additional Info:	w/Plastic Handle
Case Pack:	- each
Pallet Pack:	288 each

ENVISION
DESIGN DECORATE DELIVER

LabelILLING[™]

AI SMART
PACKAGING

ILLING
GLOBAL
SOURCING

www.illingcompany.com

Product Specifications

4.25-Gallon EZ STOR[®] Container with Hinged Cover

Multiple Uses

Dry Products

Product Codes

Container: **E427**

Description: 4.25-gallon rectangular can

Cover: **E4DH**

Description: Dry seal, tamper-evident, hinged, EZ open & close cover

Features

- Built in hand grips
- Gauge: 65 mil.
- Nominal capacity: 4.25 USG / 16 L
- Stack performance: 150 lbs.*
- Tare weights: Body: 1.33 lbs. / .61 kgs.
- Cover: .42 lbs. / .19 kgs.

Note: *Ratings will be reduced with uneven load distribution.

Specifications with Cover

- Dimensions: 12"L X 9-15/16"W X 13-11/16"H
- Maximum capacity: 4.5 USG / 17 L
- Tare weight: 1.75 lbs. / .80 kgs.

Colors

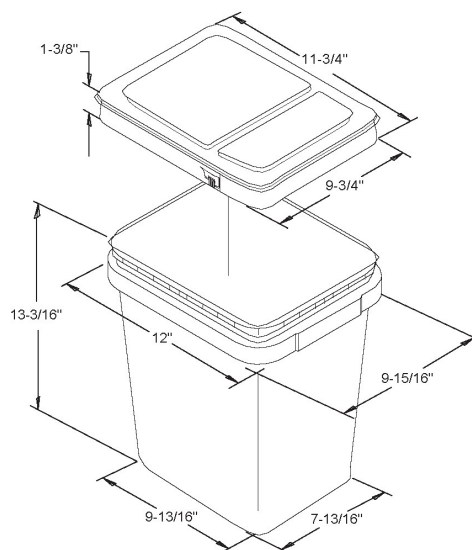
- Standard: White, Black and Natural
- Custom: Available at manufacturer's discretion

Decorating Options*

- Four or six color offset printing**
- Sleeve or pressure sensitive labeling
- NXT Graphics[®]

Note: *See EZ Stor Decoration Summary for further details.

**Where available.



Shipping Data

- Qty. per pallet: 288
- Gross Weight (lbs./kgs.)**: 383/176
- Den. (lbs./C.F./kgs./m3): 6.7/109.8
- Length (in./cm.): 48.0/121.9
- Width (in./cm.): 40.0/101.6
- Height (in./cm.): 51.0/129.5

Bodies

- 288
- 383/176
- 6.7/109.8
- 48.0/121.9
- 40.0/101.6
- 51.0/129.5

Covers

- 2,304 (32 boxes of 72)*
- 976.6/437.7
- 11.7/187.3
- 47/119.4
- 41/104.1
- 74/188

Filled Containers

- 48 (16 per layer/3 layers high)
- Pallet height: 45.95"

Estimated truckload quantity of 12,672 bodies and covers***

Note: *Bulkpack of 1120 also available

**Weight does not include pallet / packaging

***Truckload quantity based on 53' trailer

Materials

- FDA approved materials
- Resin: Body: High Density Polyethylene (HDPE)
- Cover: Polypropylene (PP)

Optional Carrying Handle

MSDS Sheets available upon request