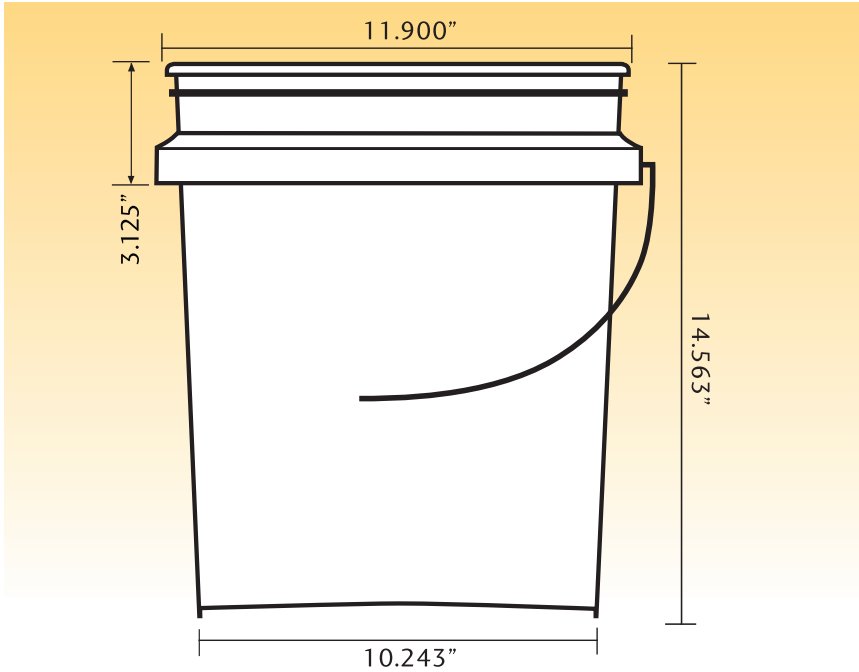


# 5 Gallon 90mil wire handle

Illing Part Number: 3EC3052



### 5 Gallon Pail

Material: HDPE  
Wall Thickness: 0.090  
Maximum Weight Capacity: 84 lbs.

### Dimensions

Diameter: 11.897" +/- 0.015  
Height: 14.563  
Maximum Fill Level: 672 fluid ounces  
4 color offset printing & heat transfer labels capability

### Handle

Wire Handle: 12 gauge galvanized wire with injection molded plastic grip  
Plastic Handle: 6 Melt HDPE

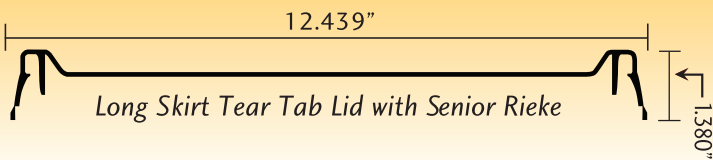
### Item Numbers: 56000

Illing Part Number: 3EC3064L



### Item Numbers: 56700

Illing Part Number: 3EC3066L



### 5 Gallon Long Skirt Tear Tab Lid & Lid with Senior Riecke

Material: HDPE  
Wall Thickness: 0.090

### Dimensions

Diameter: 12.439 +/- 0.010  
Maximum Heat: 180° Fahrenheit

### Optional Lids:

56825 Tint Plug w/ 70mm Screw Cap, 56400 Tint Plug, 56500 Jr. Riecke, 56750 All Plastic Flexspout w/ Microporous Vent.

Description	Material	Case Pack	Cases Per Pallet	Ship Weight	Case Cube	Maximum Print Area	*Estimated Truckload Quantity (Containers and Lids)
 <b>677oz - 5 Gallon 90m (20 liters) wire handle</b> Long Skirt Tear Tab Lid	 White or Natural	144	2	348	50.07	8-1/4" x 32-3/4", 1/2" gap	
	 White or Natural	48 288	24 4	35 238	4.46 26.01	N/A N/A	6,912 13,248

