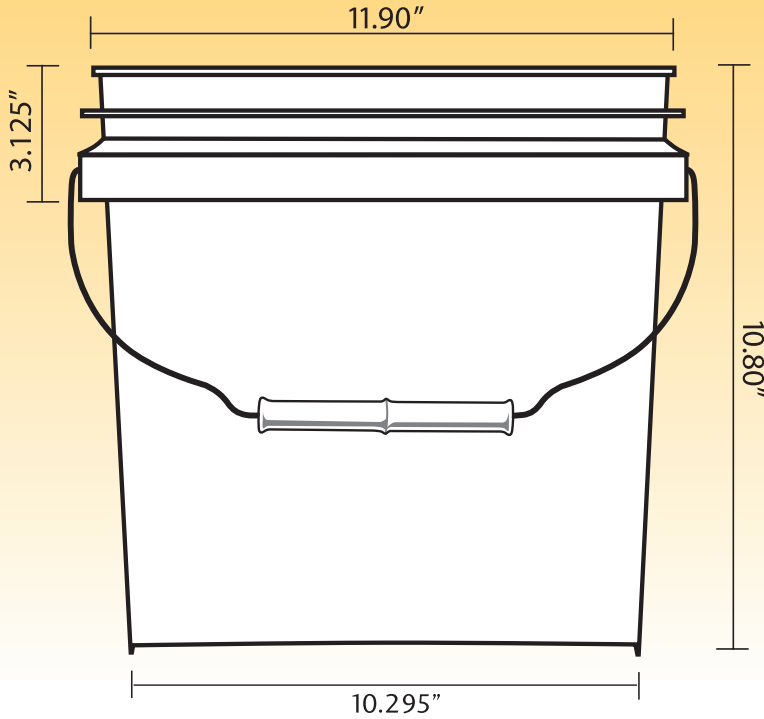


3.5 Gallon 90 Mil

WIRE HANDLE

Item Numbers: 3EC3053



3.5 Gallon Pail

Material: HDPE

Wall Thickness: 0.090

Maximum Weight Capacity: 68 lbs.

Dimensions

Diameter: 11.90 +/- 0.010

Height: 10.80

Maximum Fill Level: 448 fluid ounces

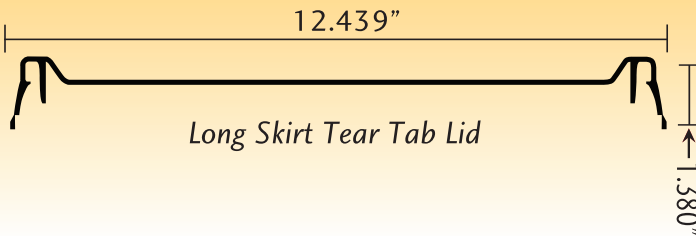
4 color offset printing capability
& Heat Transfer Labels

Handle

Wire Handle: 12 gauge galvanized wire with injection molded plastic grip

Plastic Handle: 6 Melt HDPE plastic handle available

Item Numbers: 3EC3064L OR 3EC3066L



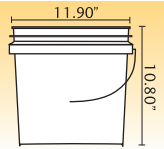

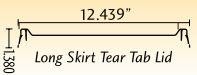

3.5 Gallon Long Skirt Tear Tab Lid

Material: HDPE

Wall Thickness: 0.090

Dimensions

Diameter: 12.439 +/- 0.010

Description	Item	Material	Case Pack	Cases Per Pallet	Ship Weight	Case Cube	Maximum Print Area	*Estimated Truckload Quantity (Containers and Lids)
 3.5 Gallon wire handle	3EC3053	 White or Natural	156	2	320	49.23	6-1/4" x 31-1/2", 1/2" gap	7,332/7,344 Pails / Lids 48ct.
 Long Skirt Tear Tab Lid	3EC3066L	 White or Natural	48 288	24 4	35 238	4.46 26.01	N/A N/A	13,776