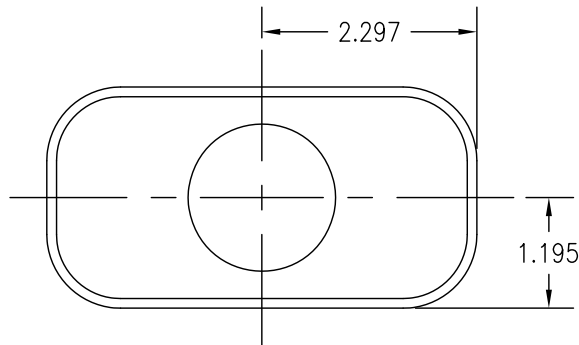
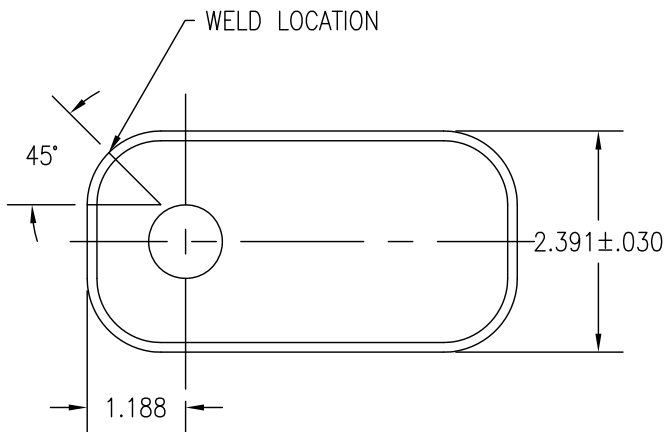
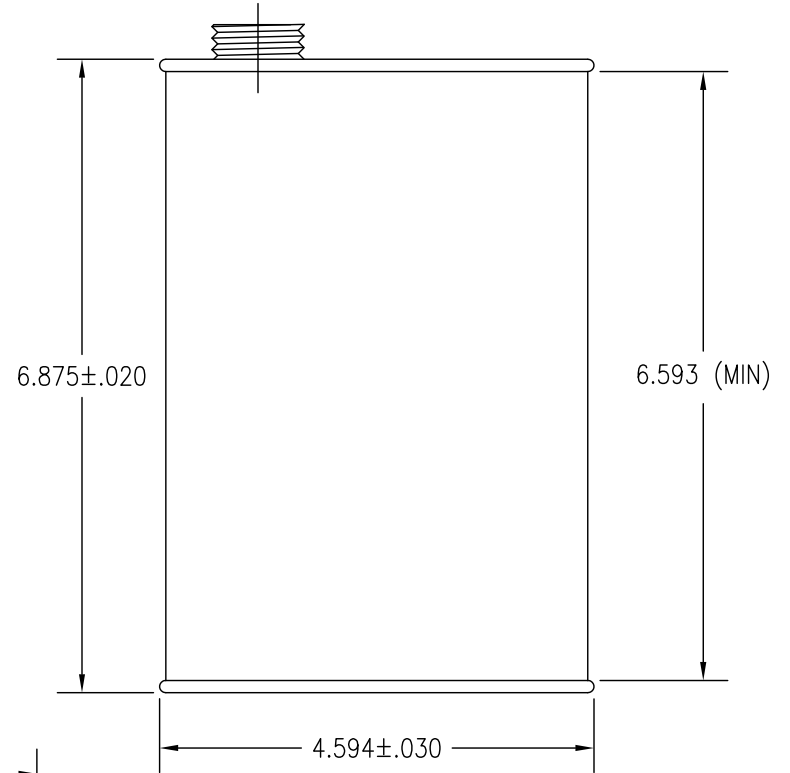


NOZZLE SIZE & TYPE	CENTER OPENING	END OPENING
RIEKE JR.	✓	
.954" INWARD CURL	✓	
.954" OUTWARD CURL	✓	
1.000" DELTA		✓
1.000" INTERNATIONAL		✓
1 1/8" BETA		✓
1 1/4" ALPHA	✓	✓
1 1/4" INTERNATIONAL		✓
1 3/4" ALPHA		✓
1 3/4" DELTA		✓
1 3/4" INTERNATIONAL		✓
32mm METRIC DIN		✓

DISTRIBUTED BY:



ILLING PT# 1204ALPHA



PRODUCT DRAWING  
 QUART "F" STYLE  
 206 X 409 X 614

DRAWN BY:	SCALE	REV. BY	NO.	DATE	REVISION DESCRIPTION
WTB	NONE	CMS	A	9-6-2000	ECR 43-00
CHECKED BY:	DATE				
WTB	1-07-99				
APPROVED BY:					
WTB					

N	LOCATION	SUPERCEDES	MATERIAL	PRINT NO.	REV.
	MEMPHIS	BSD-B-2083	TINPLATE	PD206-2-001	A