

Distributed By:



1208A

### 314x112x514 – Pint Oblong

#### Body

Material Thickness (min)	.21mm
Temper	T3
Tin Coating	No. 20ETP
Side Seam Construction	Welded

#### Bottom

Material Thickness (min)	.21mm
Temper	T3
Tin Coating	No. 20ETP

#### Top

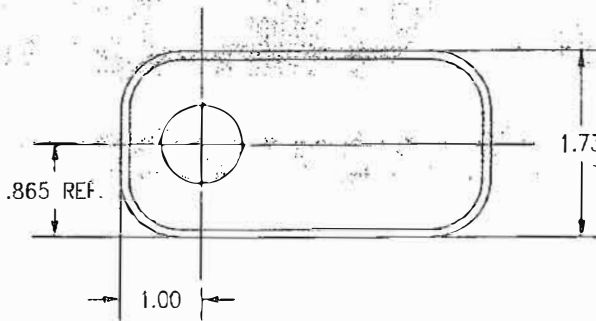
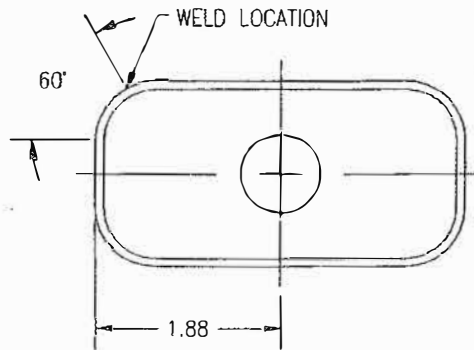
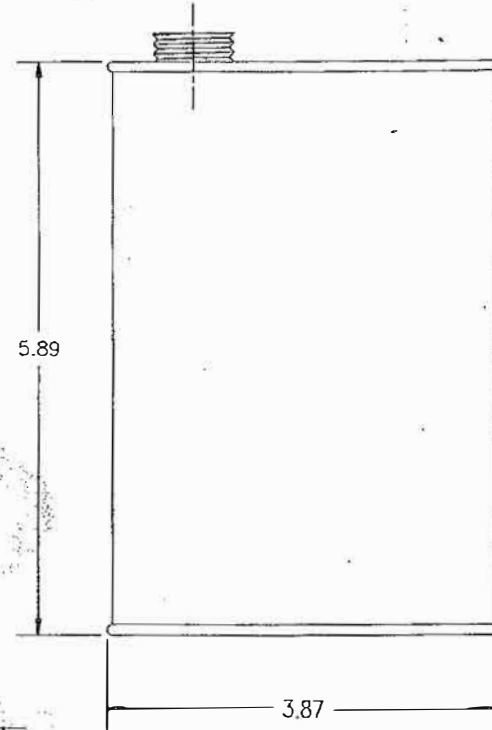
Material Thickness (min)	.21mm
Temper	T
Tin Coating	No. 20ETP

Sealing Compound	Darex 9115
------------------	------------

Nozzles	Various screw neck
---------	--------------------

Container Capacity (closed can)	19.5 fl. oz.
---------------------------------	--------------

NOZZLE SIZE & TYPE	CENTER OPENING	END OPENING
.954" INWARD CURL	✓	
.954" OUTWARD CURL	✓	
1.000" DELTA		✓
1.000" INTERNATIONAL		✓
1 1/8" BETA .789"	✓	✓
1 1/8" BETA .877"	✓	✓
1 1/4" ALPHA	✓	✓
1 1/4" INTERNATIONAL	✓	✓



Distributed By:



ILLING PT# 1208A

DRAWN BY:	SCALE	REV. BY	NO.	DATE	REVISION DESCRIPTION
WTB		CMS	A	9-6-2000	ECR 43-00
CHECKED BY:	DATE				
WTB	1-07-99				
APPROVED BY:					
WTB					

PRODUCT DRAWING PINT "F" STYLE 112 X 314 X 514				
LOCATION	SUPERCEDES	MATERIAL	PRINT NO.	REV.
MEMPHIS		INPLATE	PD112-2-001	A