

Represented by



**ILLING**<sup>®</sup>  
Company, Inc.  
*Packaging Your Vision*

## Product Specification Sheet

Illing Part# 3450W

# 1 GALLON WHITE HDPE ROUND HANDLEWARE CONTAINER, 38-400

Part #: 3450W

Size:	1 Gallon
Color:	White
Material:	HDPE
Style:	Round Handleware Container
Additional Info:	38-400
Case Pack:	48 each
Pallet Pack:	- each

**ENVISION**  
DESIGN DECORATE DELIVER

**Label**ILLING™

**AI** SMART  
PACKAGING

**ILLING**  
**GLOBAL**  
SOURCING

[www.illingcompany.com](http://www.illingcompany.com)

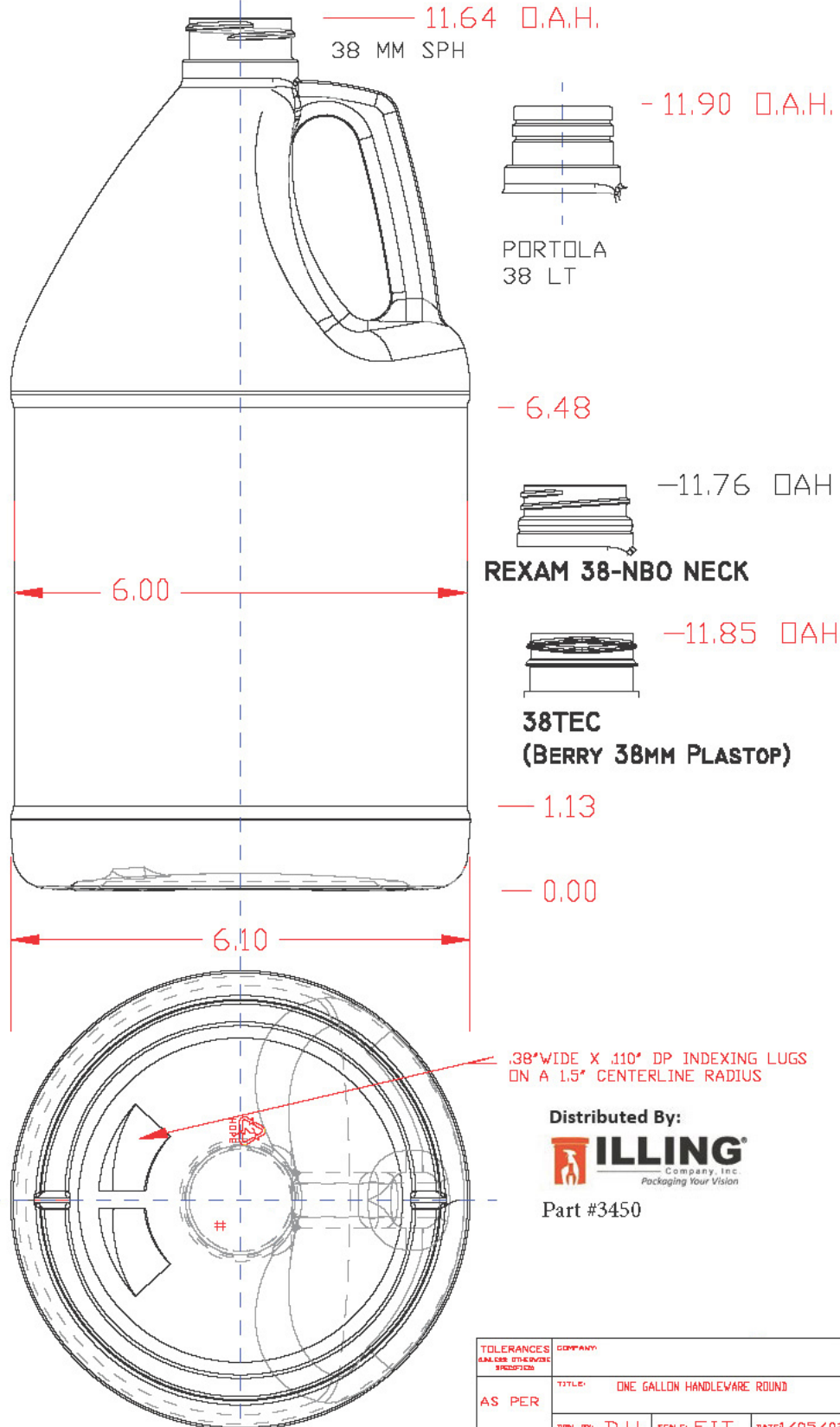
Represented by



**ILLING**<sup>®</sup>  
Company, Inc.  
Packaging Your Vision

**Product Specification Sheet**

Illing Part# 3450W



Distributed By:



Part #3450

QC VERIFIED	2/20/15				
ACCEPTANCE	DATE	NO.	REVISION DESCRIPTION	BY	DATE

TOLERANCES UNLESS OTHERWISE SPECIFIED	COMPANY				
AS PER	TITLE: ONE GALLON HANDLEWARE ROUND				
S.P.I.	DRAWN BY: D.U.	SCALE: FIT	DATE: 1/05/02		
SPECS.	QMS BY: JF 6/20/02	DRAWING NO.	REV:		
	MATERIAL: HDPE				