

Represented by



ILLING[®]
Company, Inc.
Packaging Your Vision

Product Specification Sheet

Illing Part# 3450WT

1 GALLON WHITE HDPE ROUND HANDLEWARE CONTAINER, 38-400, FTL1

Part #: 3450WT

Size:	1 Gallon
Color:	White
Material:	HDPE
Style:	Round Handleware Container
Additional Info:	38-400, Fluorinated Treatment Level 1
Case Pack:	48 each
Pallet Pack:	- each

ENVISION
DESIGN DECORATE DELIVER

LabelILLING[™]

AI SMART
PACKAGING

ILLING
GLOBAL
SOURCING

www.illingcompany.com

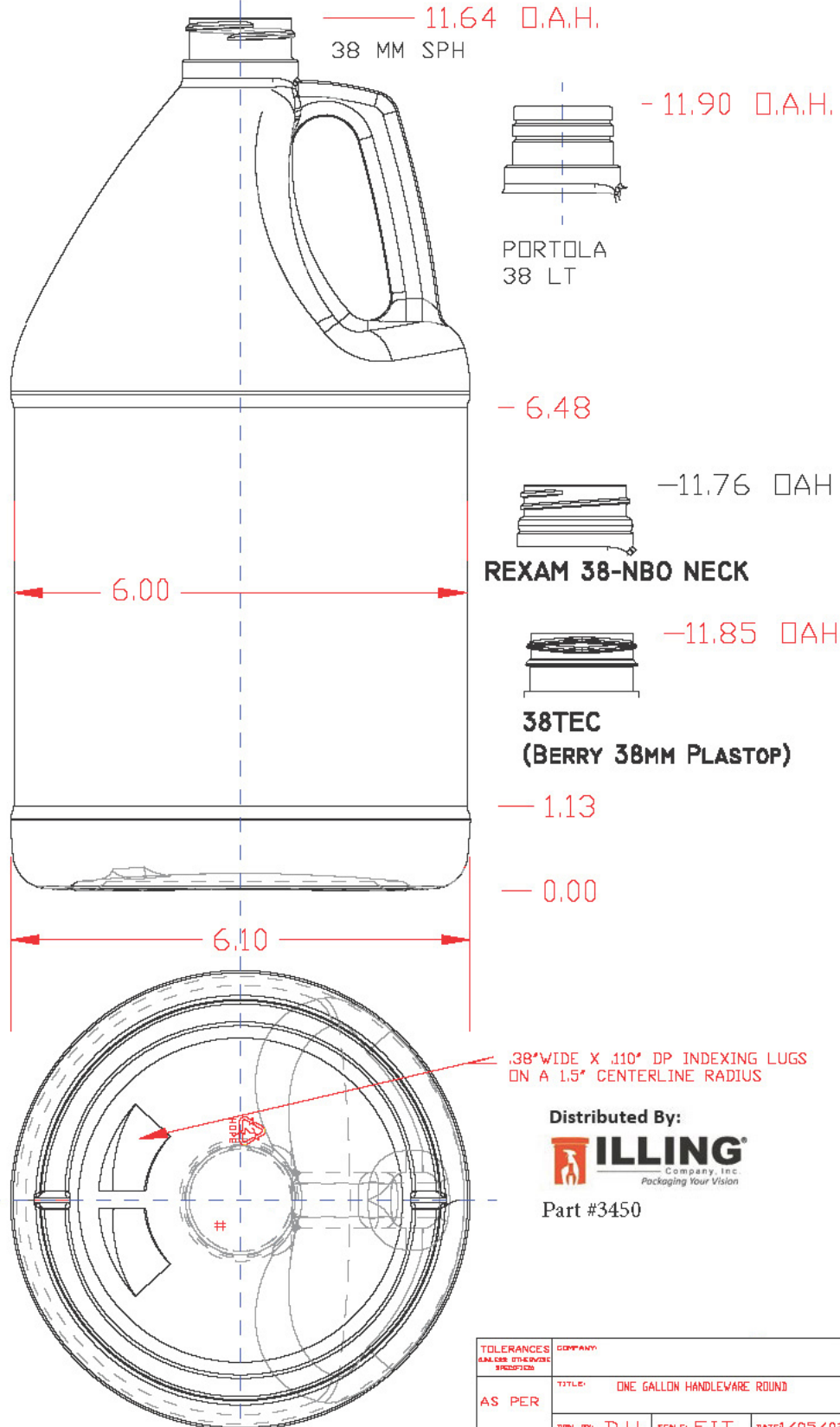
Represented by



ILLING[®]
Company, Inc.
Packaging Your Vision

Product Specification Sheet

Illing Part# 3450WT



Distributed By:



Part #3450

QC VERIFIED	2/20/15				
ACCEPTANCE	DATE	NO.	REVISION DESCRIPTION	BY	DATE

TOLERANCES UNLESS OTHERWISE SPECIFIED	COMPANY				
AS PER	TITLE: ONE GALLON HANDLEWARE ROUND				
S.P.I.	DRAWN BY: D.U.	SCALE: FIT	DATE: 1/05/02		
SPECS.	QNSD BY: JF 6/28/02	DRAWING NO.		REV:	
	MATERIAL: HDPE				