

Represented by



ILLING[®]
Company, Inc.
Packaging Your Vision

Product Specification Sheet

Illing Part# 3531PET

24 OZ CLEAR PET PLASTIC BULLET BOTTLE, 28-410

Part #: 3531PET

Size:	24 oz.
Color:	Clear
Material:	PET
Style:	Bullet Bottle
Additional Info:	28-410 Neck
Case Pack:	162 each
Pallet Pack:	- each

ENVISION
DESIGN DECORATE DELIVER

LabelILLING[™]

AI SMART
PACKAGING

ILLING
GLOBAL
SOURCING

www.illingcompany.com

Represented by

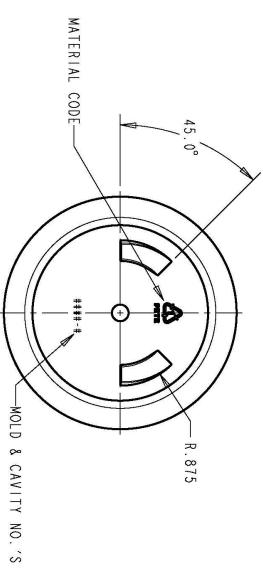
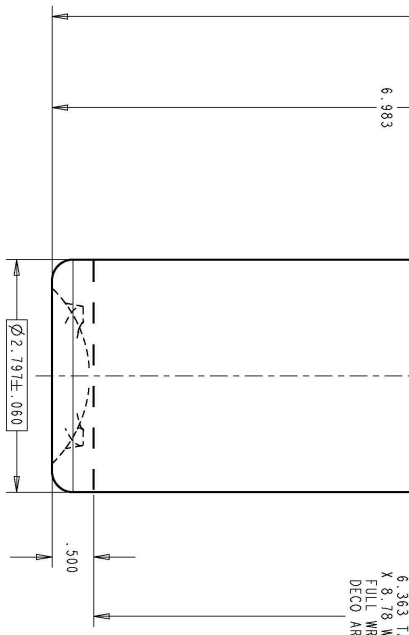
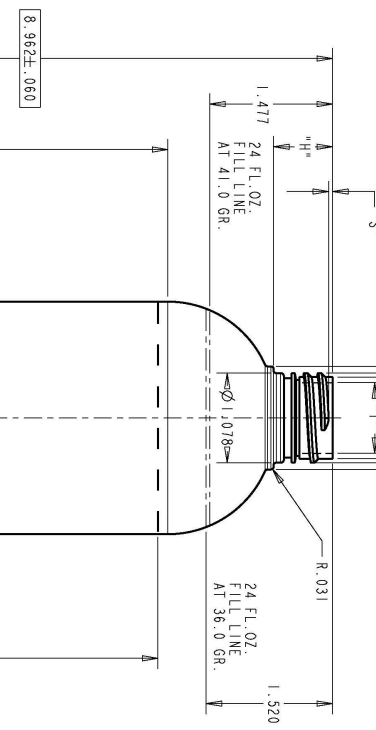
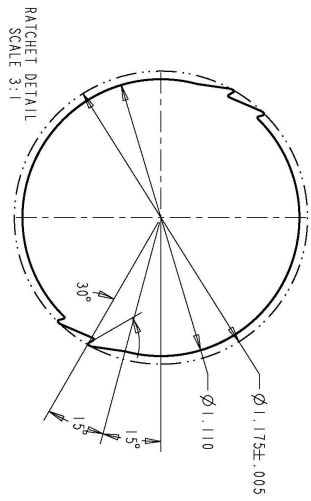
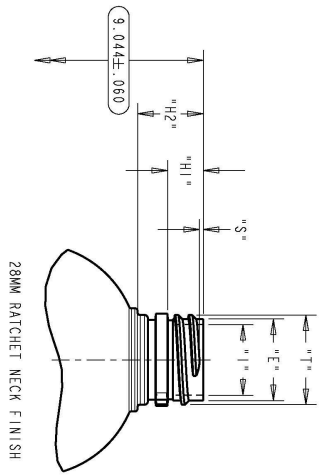
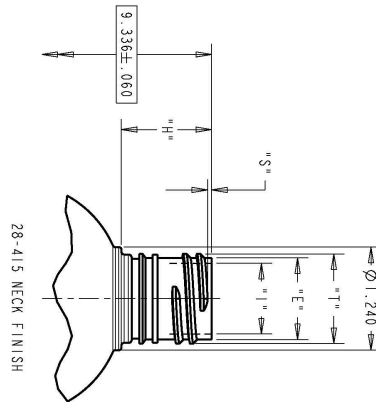


ILLING
Company, Inc.
Packaging Your Vision

Product Specification Sheet

Illing Part# 3531PET

NECK FINISH	BOTTLE WEIGHT (±1.58g)	OVERFLOW CAPACITY (±13.00CC)	"T" DIA	"E" DIA	"H" DIM	"H2" DIM	"S" DIM	"I" DIA	MIN. WALL THICKNESS
M28SP410	36.5/41.0	759.0/755.2	1.088	.994	.723	---	.061	.614	.008
M28SP415	35.6/41.0	761.1/757.9	1.088	.994	1.097	---	.061	.614	.008
28MM RATCHET	36.4	760.0	1.087	.991	.445	.805	.061	.614 MIN	.008
	41.5	756.2	1.087	.991	.415	.775	.031	.614 MIN	.008



CONTAINER SIZES SHOWN ARE REPRESENTATIVE OF MEAN DIMENSIONS ONLY. FINAL PLASTIC DIMENSIONS WILL BE DETERMINED FROM ACTUAL PRODUCTION SAMPLES.

DATE	BY	REVISION RECORD	AUTHOR	CHK
8/27/03	A	OVERFLOW CAP WAS 746.9 CC	DC	
		DIMETERS WAS 2.715		
1/14/04	B	ADDED 41 GR. WEIGHT	DC	
		ADDED 28-415 NECK FINISH		
05/18/05	C	REVISED TO NEW FORMAT		
		ADDED RATCHET NECK FINISH		

DISTRIBUTED BY:



ILLING PART # 3531PET

TOLERANCES UNLESS OTHERWISE SPECIFIED		SCALE		DRAWN BY		DC	
DECIMAL	S. P. I.	FULL					
DECIMAL	S. P. I.	FULL					
TITLE		24 OZ. BULLET ROUND		APPROVED BY		NO. 90	
DATE		6/26/03		DRAWING NUMBER		05-01-1862	
S. P. I.		S. P. I.		REVISION		C	
		P/C-5408					

DATE FILED: 2/20/03 10:11 AM