

Represented by



ILLING[®]
Company, Inc.
Packaging Your Vision

Product Specification Sheet

Illing Part# 2201BB

5 GALLON BLACK 24 GAUGE RFO METAL TIGHT HEAD PAIL W/DUST CAP, UNLINED

Part #: 2201BB

Size:	5 Gallon
Color:	Black
Material:	Metal
Style:	TH Pail
Additional Info:	24 Gauge, RFO, No Lining, UN Rated 1A1/Y2.1/300
Case Pack:	- each
Pallet Pack:	84 each

ENVISION
DESIGN DECORATE DELIVER

LabelILLING[™]

AI SMART
PACKAGING

ILLING
GLOBAL
S O U R C I N G

www.illingcompany.com

Represented by

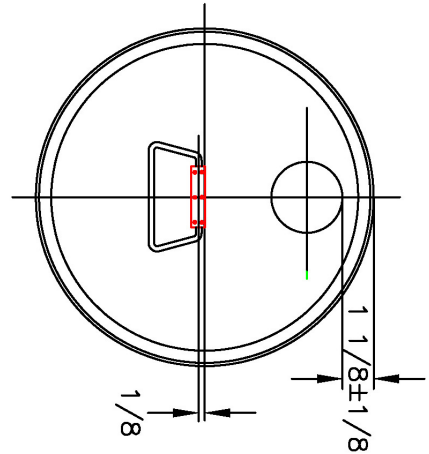
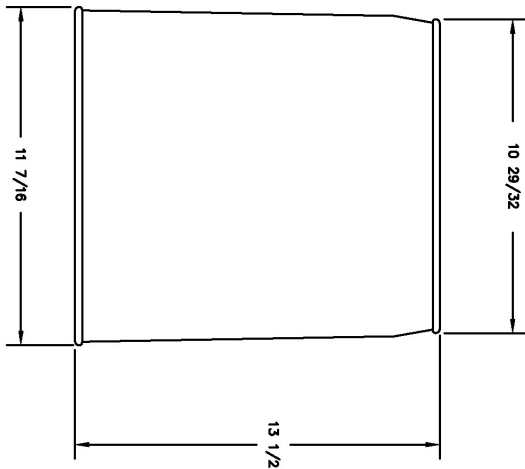


ILLING[®]
 Company, Inc.
 Packaging Your Vision

Product Specification Sheet

Illing Part# 2201BB

NOTE:
 PAILS AVAILABLE IN STANDARD AND U.N. CERTIFIED



DRAWN BY:	SCALE:	REV. BY:	NO.	DATE	REVISION DESCRIPTION
DAB	~				
CHECKED BY:	DATE				
DAB	01/14/03				
APPROVED BY:					

PRODUCT DRAWING
 5 GALLON REVERSE TAPER
 STANDARD DRUM/RIEKE OPENING

LOCATION	SUPERCEDES	MATERIAL	PRINT NO.	REV.
	A 75-P-785		PS500-5-020	

DISTRIBUTED BY:

ILLING[®]
 Company, Inc.
 Packaging Your Vision